

INSTALLATION INSTRUCTIONS

READ THOROUGHLY BEFORE BEGINNING

2 5/16" **REMOV-A-BALL®** GOOSENECK HITCH

COVERED BY U.S. PATENT NOS. 5,893,575 & 6,095,545

Note: GM composite (NON METAL) bed will require Installation Kit #58209

IMPORTANT!

This product is intended to be used with *Towing Products* manufactured Rail Kits. If the Gooseneck Hitch installation is made with *Towing Products* manufactured Rail Kits, the installation instructions for the Gooseneck Hitch are included as part of the *Towing Products* Rail Kit installation instructions. Give this installation instruction to vehicle owner after installation is complete.

General instructions for fabricated support structures.

IF TOWING PRODUCTS MANUFACTURED RAIL KITS ARE NOT USED, THIS PRODUCT BECOMES A GENERAL APPLICATION PRODUCT. IT IS THE RESPONSIBILITY OF THE INSTALLER TO SELECT STRUCTURALLY SAFE MATERIALS AND LOCATIONS FOR ATTACHMENT. INSTALLATION INFORMATION FOLLOWS.

- MAXIMUM RATINGS -

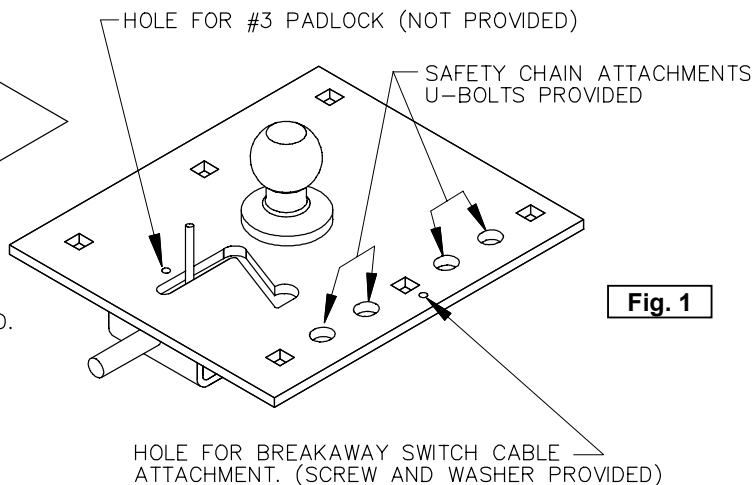
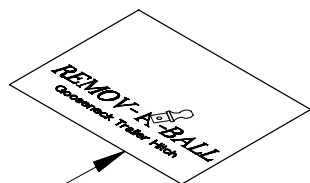
DO NOT EXCEED LOWER OF TOWING VEHICLE MANUFACTURER'S RATINGS OR THOSE LISTED BELOW:

30,000 LB GROSS TRAILER WEIGHT 7,500 LB VERTICAL LOAD

TOOLS REQUIRED:

Hand drill
Drill bits - 1/4", 5/8", 3/4"
Sockets and wrenches - 9/16", and 15/16"
Center punch
Torque wrench
Saber saw
Files - round & flat
Hammer

MAGNETIC COVER
COVERS Z-SLOT WHILE TOWING, TURN
90° TO COVER Z-SLOT AND EMPTY BALL
HOLE WHEN GOOSENECK IS NOT BEING USED.



NOTE: CHECK HITCH FREQUENTLY, MAKING SURE ALL FASTENERS ARE PROPERLY TIGHTENED. A HITCH OR BALL WHICH HAS BEEN DAMAGED SHOULD BE REMOVED AND REPLACED. OBSERVE SAFETY PRECAUTIONS WHEN WORKING BENEATH A VEHICLE AND WEAR EYE PROTECTION. FOLLOW VEHICLE MANUFACTURER'S SPECIFICATIONS FOR MAXIMUM TRAILER WEIGHT. DO NOT CUT ACCESS OR ATTACHMENT HOLES WITH A TORCH.

THIS PRODUCT COMPLIES WITH PERFORMANCE AND REQUIREMENTS FOR FIFTH WHEEL VEHICLE, CONNECTING DEVICES AND TOWING METHODS - REGULATION VESC 19 AND WITH FEDERAL MOTOR CARRIER - SAFETY REGULATIONS - TITLE 49.

Note: GM composite (NON METAL) bed will require Installation Kit #58209

INSTALLATION INSTRUCTIONS:

1. The following guidelines must be followed before installation begins:

- The hitch ball must be located along the truck's fore/aft centerline.
- The hitch ball centerline must be located above and forward of the rear axle of the truck.
- Adequate clearance must be provided between the gooseneck trailer and the rear of the vehicle so that the gooseneck trailer does not contact any part of the truck during turning.
- Adequate clearance must be provided between the forward corners of the gooseneck trailer and the cab of the truck.
- Determine that the ball position and under vehicle supports do not interfere with any vehicle crossmembers, brake lines, electrical wiring, cables, fuel lines or vents.

2. With hitch ball center marked on the truck, lay template P/N 5978 in the bed of the truck. Make sure that the template is oriented properly per notes on the template. If truck is equipped with a bed liner a 14" x 12" section of the bed liner must be cut out so that the gooseneck platform can contact the metal truck bed corrugations. See Fig. 2.

3. Center punch the holes that will be used to cut out the truck bed.

4. Drill 1/4" pilot holes (size will depend on the width of blade in saber saw).

5. Cut out truck bed. File the edges as needed.

6. Install platform into opening.

7. Use the installed platform as a guide to drill 5/8" diameter holes through the truck bed and/or under vehicle supports for the carriage bolts and drill 3/4" diameter holes for U-bolts.

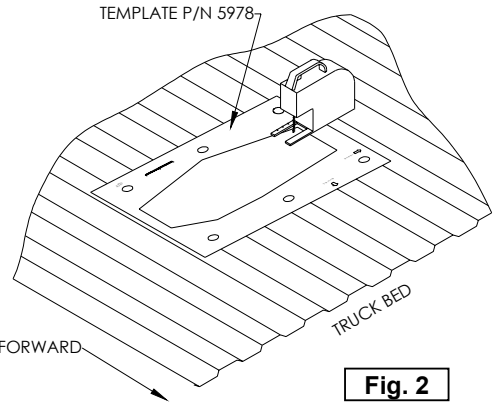


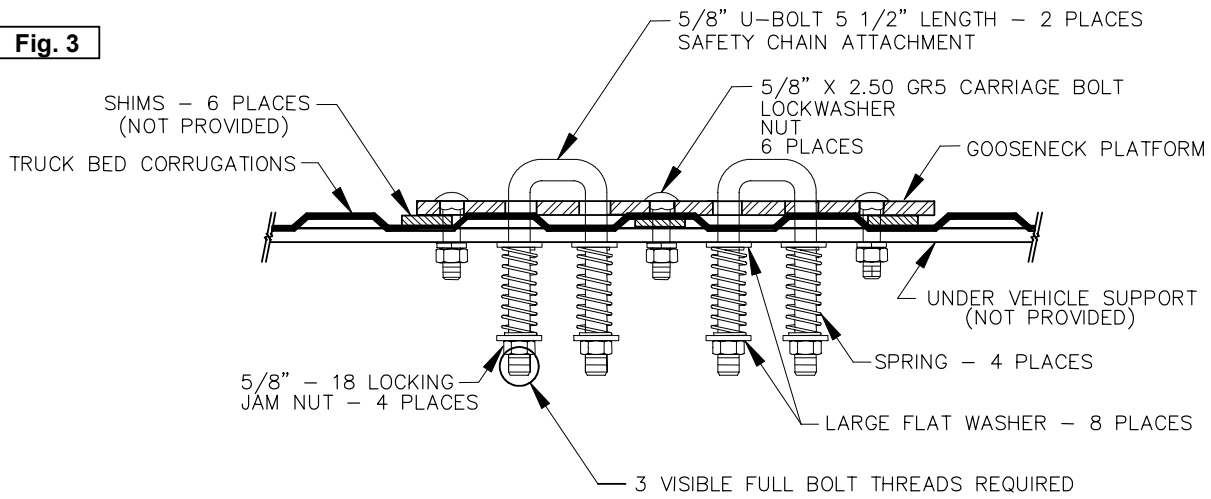
Fig. 2

A DURABLE AND REUSABLE STAINLESS STEEL TEMPLATE P/N 6467 IS AVAILABLE.
A TIME SAVER FOR CUTTING BED LINER AND BED

Before drilling, make sure the platform is oriented square to the truck centerline and does not interfere with any vehicle crossmembers, brake lines, electrical wiring, cables, fuel lines or vents.

8. Before installing 5/8" carriage bolts through the platform, shims (not provided) must be placed between the platform and the bed and between the under vehicle structure and the bottom of the bed. These shims are necessary to prevent the truck bed corrugations from collapsing when the carriage bolts are tightened. See Fig. 3.

Fig. 3

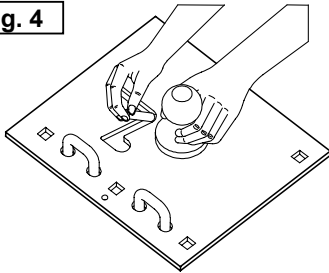


9. Install 5/8" x 2.50" Grade 5 carriage bolts through the platform, shims and under vehicle supports. Secure with lock washers and nuts. Torque nuts to 150 LB-FT.
10. Install the (2) U-bolts through the platform. From under the truck install large flat washer over the U-bolt followed by a spring, another large flat washer and secure with a thin 5/8" jam nut. Repeat for the other legs of the U-bolts. The 5/8" jam nuts are to be tightened until 3 threads are visible past the bottom of the nut.

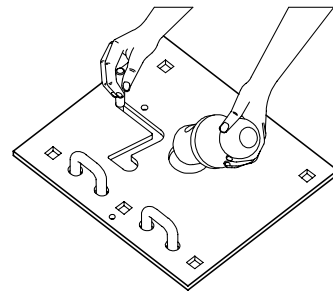
REMOV-A-BALL® GOOSENECK BALL INSTALLATION AND OPERATION

After installation, with a finger in the Z-slot raise the handle pulling it rearward and sliding it toward the side of the truck. This will allow the hitch ball to be installed into the tube. Orient the through hole in the ball so it lines up with the sliding pin. Move the handle toward the ball and then push it forward in the Z-slot to lock the handle into a closed position.

Fig. 4



A durable hitch ball storage bag P/N 6352 is available to store greasy ball when not in use.



Cover the slot with the magnetic cover provided. This cover will keep road mud and debris out of the bed and away from your cargo.

AFTER SYSTEM INSTALLATION AND BEFORE TOWING:

Connect trailer to the tow vehicle following coupler manufacturer's operating instructions. The coupler must be adjusted to provide about 6" of clearance between the bottom of the trailer nose and the top of the pickup bed sides.

Slowly back the trailer to a jackknifed position to the tow vehicle while checking to see there is adequate clearance between the gooseneck trailer and the rear of the vehicle. Also check to see there is adequate clearance between the forward corners of the gooseneck trailer and the cab of the truck. Slowly jackknife the truck and trailer in the opposite direction and check the clearances to the end of the truck and the cab.

REMOV-A-BALL® GOOSENECK MAINTENANCE

- Keep assembly free of dirt and debris.
- Lubricate hitch ball monthly or as needed with heavy grease.
- Lubricate ball tube with heavy grease when ball is installed and/or removed.
- Lubricate locking pin monthly or as needed with spray-on penetrating oil.
- Check bolt torque monthly.
- Check equipment before towing for worn or damaged parts. **REPLACE WORN OR DAMAGED PARTS IMMEDIATELY.**

GOOSENECK REMOV-A-BALL® HITCH SYSTEM

IMPORTANT INFORMATION ON TOWING

TOWING EQUIPMENT OWNERS: Make sure all operators of your equipment read and understand this information before towing. Save for reference. This will help you properly use and maintain your towing equipment. Refer to owner's manuals for your tow vehicle, trailer and other parts of your towing system. Learn the capabilities and limitations of each part. **GROSS TRAILER WEIGHT** and **VERTICAL LOAD** are the two most important items to consider. **THESE WEIGHTS MUST NEVER EXCEED THE LOWEST RATING OF ANY PART OF YOUR TOWING SYSTEM.** **GROSS TRAILER WEIGHT** is the weight of the trailer plus cargo. Measure **GROSS TRAILER WEIGHT** by putting the fully loaded trailer on a vehicle scale. **VERTICAL LOAD** is the downward force exerted on the ball by the trailer coupler. Use a vehicle scale to measure **VERTICAL LOAD** with the fully loaded trailer on a level surface and the coupler at normal towing height.

TRAILER COUPLERS

The coupler should be smooth, clean and lightly lubricated. Adjust per coupler manufacturer's instructions.

SAFETY CHAINS

Connect safety chains properly **EVERY TIME YOU TOW**. Attach securely through the U-bolts provided so they can not bounce loose. Leave only enough slack to permit full turning. Too much slack may prevent chains from maintaining control if other connections separate.

TRAILER LIGHTS, TURN SIGNALS, ELECTRIC AND BREAKAWAY SWITCH CONNECTIONS

Make these safety-critical connections **EVERY TIME YOU TOW**, no matter how short the trip. Check operation, including electric brake manual control, before getting on the road.

OTHER USEFUL EQUIPMENT

AIR SPRINGS, AIR SHOCKS, or HELPER SPRINGS are useful for some applications. A TRANSMISSION COOLER may be necessary for heavy towing. Many states require TOWING MIRRORS on both sides.

TIRE INFLATION

Check often. Follow tow vehicle and trailer manufacturer's recommendations.

CHECK YOUR EQUIPMENT/REPLACE WORN PARTS

Check ball, coupler, chains, and all other connections **EVERY TIME YOU TOW**. Re-check at fuel and rest stops.

NO PASSENGERS IN TRAILER!

Never allow people in the trailer while towing, under any circumstances.

TRAILER LOADING

Place heavy objects on the floor ahead of the axle. Balance the load side-to-side. Secure it to prevent shifting. **NEVER** load the trailer rear heavy. **LOAD THE TRAILER HEAVIER IN THE FRONT, BUT NOT GREATER THAN TONGUE WEIGHT RATING OF THE HITCH.**

DRIVING

The additional weight of a trailer affects acceleration, braking and handling. Allow extra time for passing, stopping, and changing lanes. A gooseneck trailer requires a large turning radius as the trailer tracks to the inside of turns. Severe bumps can damage your towing vehicle, hitch and trailer. Drive slowly on rough roads. **STOP AND MAKE A THOROUGH INSPECTION IF ANY PART OF YOUR TOWING SYSTEM STRIKES THE ROAD. CORRECT ANY PROBLEMS BEFORE RESUMING TRAVEL.**

WARNING

DO NOT MODIFY. Do not tow one trailer behind another, which may cause loss of control. Failure to heed warnings and follow instructions may result in serious personal injury or death, vehicle crash, and/or property damage.