

CONSUMER: KEEP INSTRUCTIONS AND READ BEFORE EACH USE.

INSTALLATION INSTRUCTIONS

FOR HITCH MOUNTED CARGO CARRIER

BIKE CARRIER (CAPACITY 4 BIKES)

FOR USE ON 6500 WITH CHILDRENS BIKES (20" TIRES OR LESS).

FOR USE ON 6501 WITH ADULT & CHILDRENS BIKES.

TOOLS REQUIRED: 11/16 WRENCH



PART NUMBER 6505

APPROVED FOR USE WITH
DRAW-TITE CARGO CARRIERS
6500 & 6501.

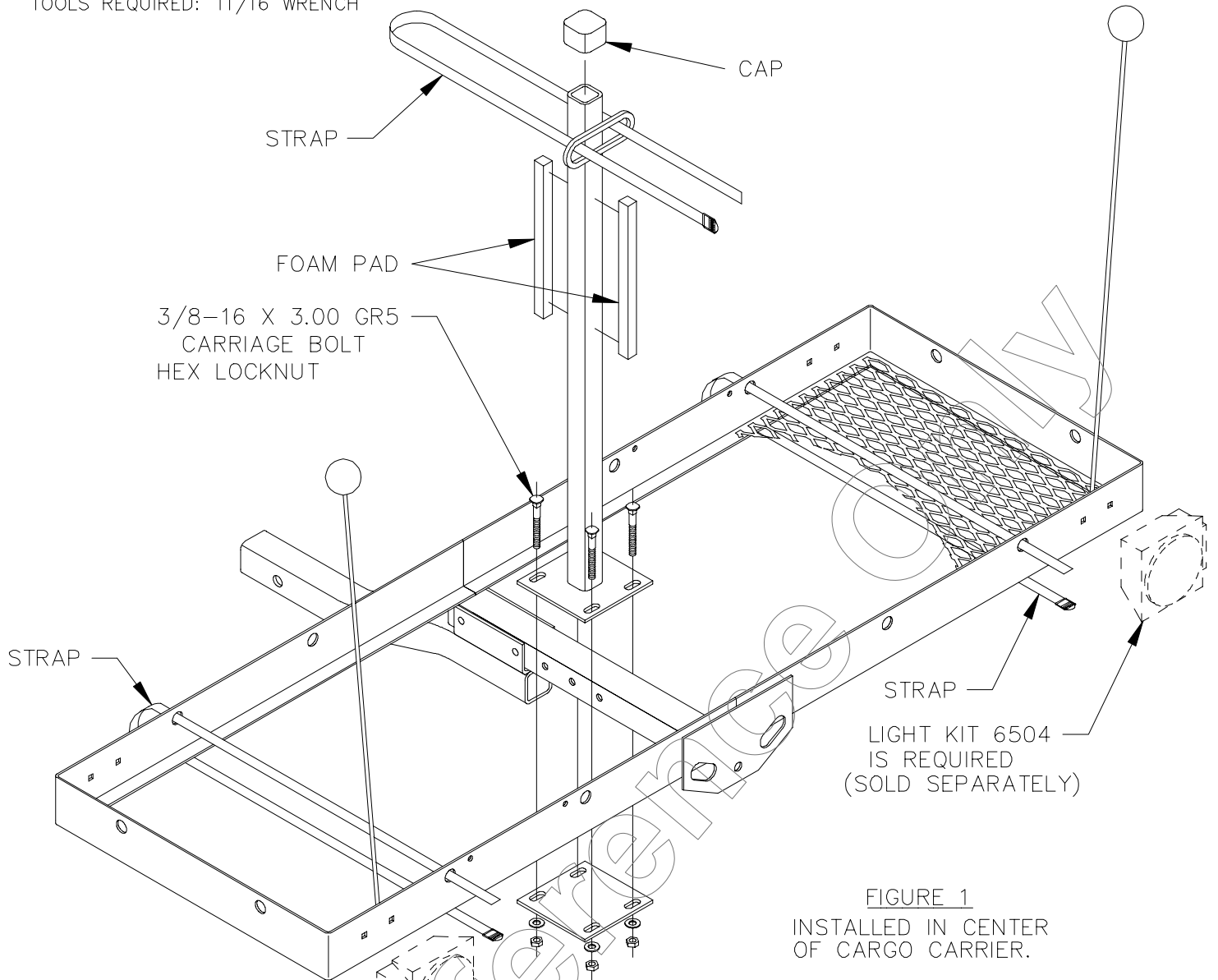


FIGURE 1
INSTALLED IN CENTER
OF CARGO CARRIER.

1. PLACE BIKE CARRIER ON CARGO CARRIER AS SHOWN IN FIGURES 1 & 2.
NOTE: POSITION IN THE CENTER OR OFFSET ON THE CARGO CARRIER TUBING.
NOTE: BIKE CARRIER MUST BE FASTENED OVER TUBING, DO NOT FASTEN TO GRATING ONLY.
2. INSTALL FASTENERS AS SHOWN IN FIGURE 1 AND TIGHTEN EVENLY, DO NOT OVER TIGHTEN.
3. INSTALL CAP AND FOAM PADS AS SHOWN IN FIGURE 1.
4. INSERT STRAPS THRU BICYCLE SPOKES AND CARGO CARRIER AS SHOWN IN FIGURES 1 & 2.
5. FASTEN STRAP AROUND BIKES AND BIKE CARRIER AS SHOWN IN FIGURES 1 & 2.
6. SEE FIGURE 3 FOR STRAP & BUCKLE USE.

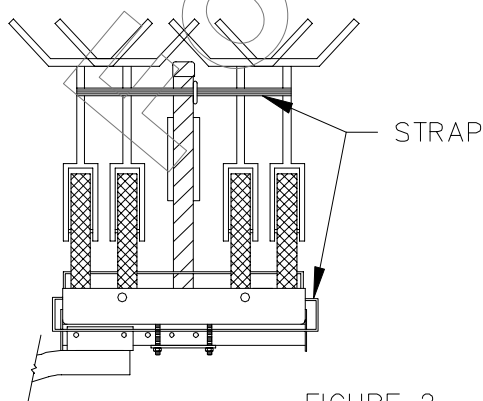


FIGURE 2
INSTALLED IN CENTER & OFFSET POSITIONS

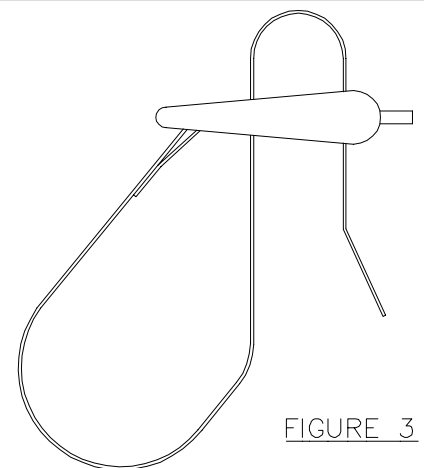
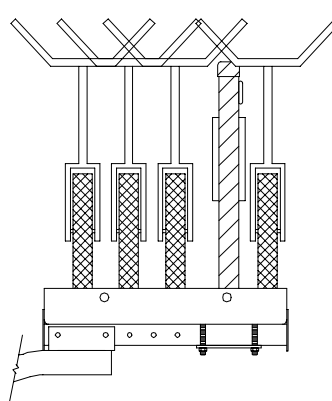


FIGURE 3

WARNING

- * LIGHT KIT 6504 (SOLD SEPARATELY) IS REQUIRED WHEN CARRYING BIKES. RELOCATE LICENSE PLATE TO BRACKET SUPPLIED WITH LIGHT KIT.

CAUTION

- * CHECK SECURITY OF BIKES, FASTENERS, PIN, & CLIP AT ALL FUEL AND REST STOPS.
- * DO NOT CUT, DRILL, WELD, OR MODIFY BIKE CARRIER.